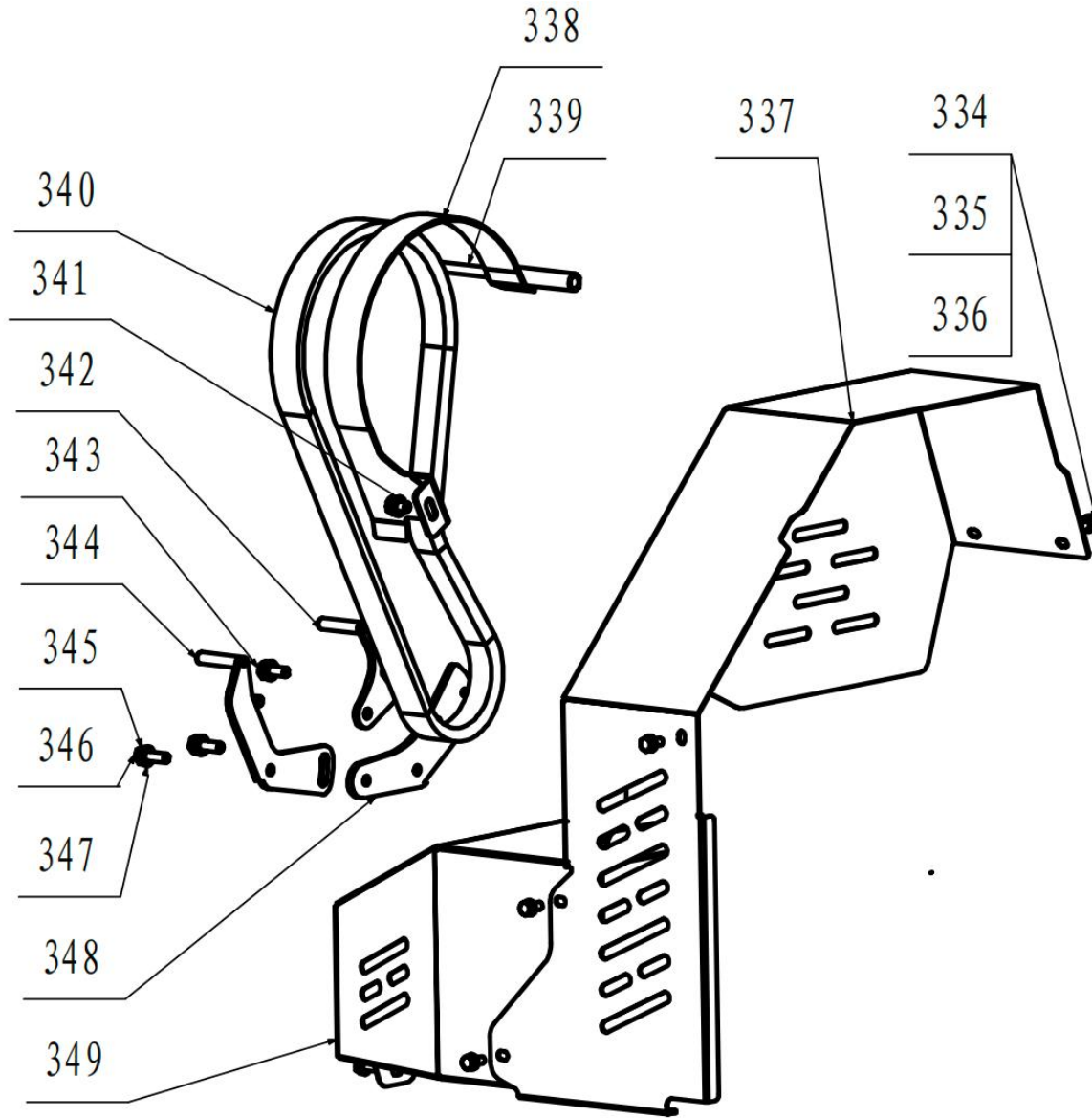


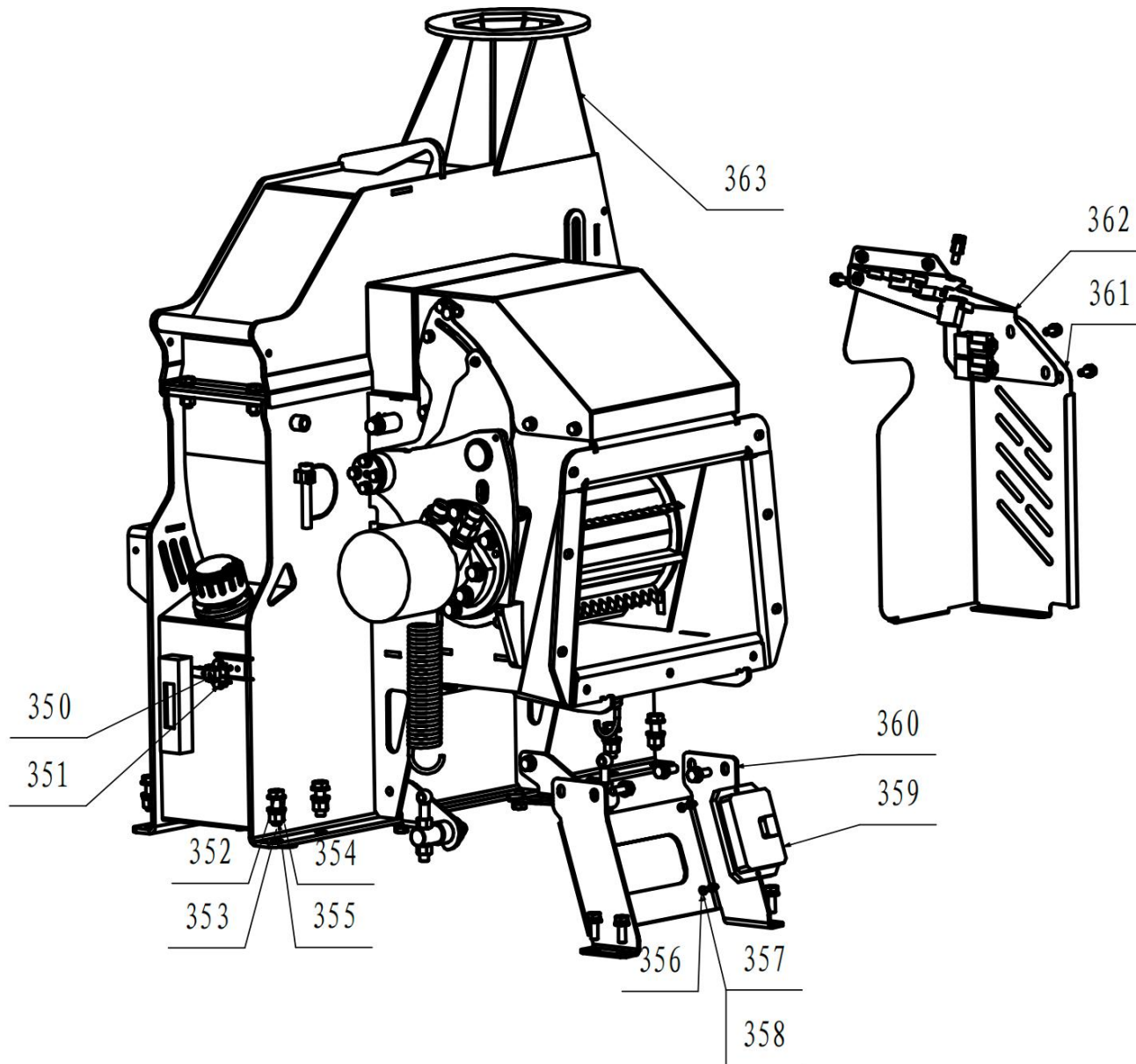
No	Description	Qty
393	Output chute assy;.	1
394	Positioner	2
395	Washer plate	2
396	Fix plate	2
397	Lock plate	2
398	Lock knob	2
399	Bolt M10*40	6
400	Spring washer	29
401	Nut	12
402	Flat washer	41
403	Rivet	6
404	VIN plate	1
405	Serial plate	1
406	Tow bar clamp	1
407	Tow bar	1
408	Bolt M12*35	6
409	Flat washer	6
410	Spring washer	6
411	Retro reflector	2
412	Mudguard holder A	1
413	Mudguard holder B	1
414	Bolt M8*25	8
415	Bolt M8*20	8
416	Wheel chock	2
417	Mudguard	2
418	Chock bracket	2
419	Bolt M6*12	8
420	Mudguard rear holder A	1

421	Mudguard rear holder B	1
422	Nut	12
423	Washer	16
424	Flat washer	30
425	Bolt	8
426	Hopper back support	1
427	Bolt M10*25	6
428	Feeding control connector	1
429	Rear lamp combination	1
430	Hopper assy.	1
431	Locknut	8
432	Pin	2
433	Split pin	2
434	Bolt M10*35	9
435	Disk housing assy.	1

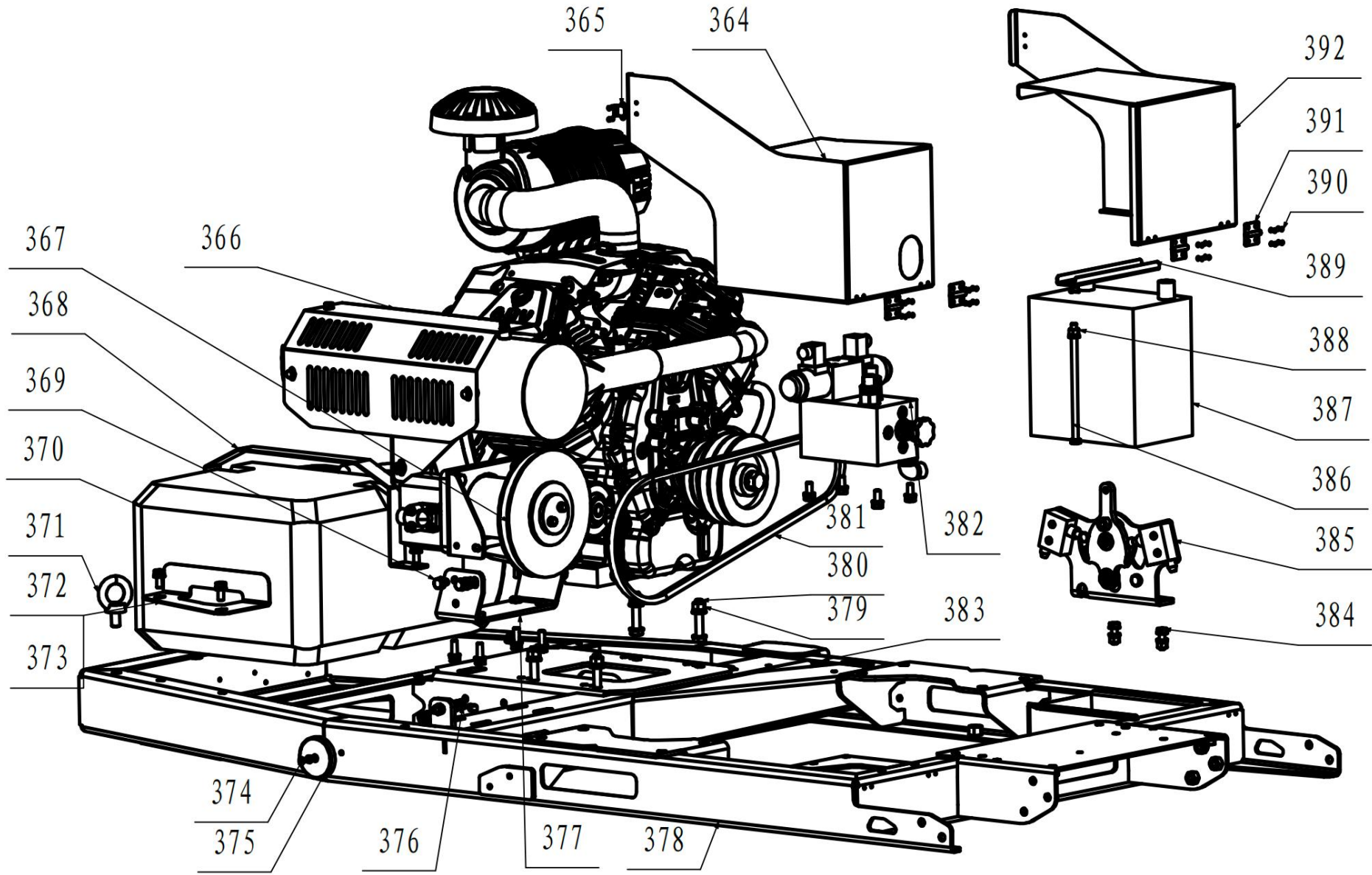


No.	Description	Qty
-----	-------------	-----

334	Bolt M8*20	24
335	Washer	38
336	Flat washer	42
337	Belt cover	1
338	Disk pulley protector	1
339	Bolt M10*125	1
340	Belt	1
341	Bolt M10*16	1
342	Engine pulley protector B	1
343	Bolt M10*25	2
344	Engine pulley protector A	1
345	Spring washer	18
346	Bolt M10*30	10
347	Flat washer	22
348	Protector base	1
349	Pump cover	1

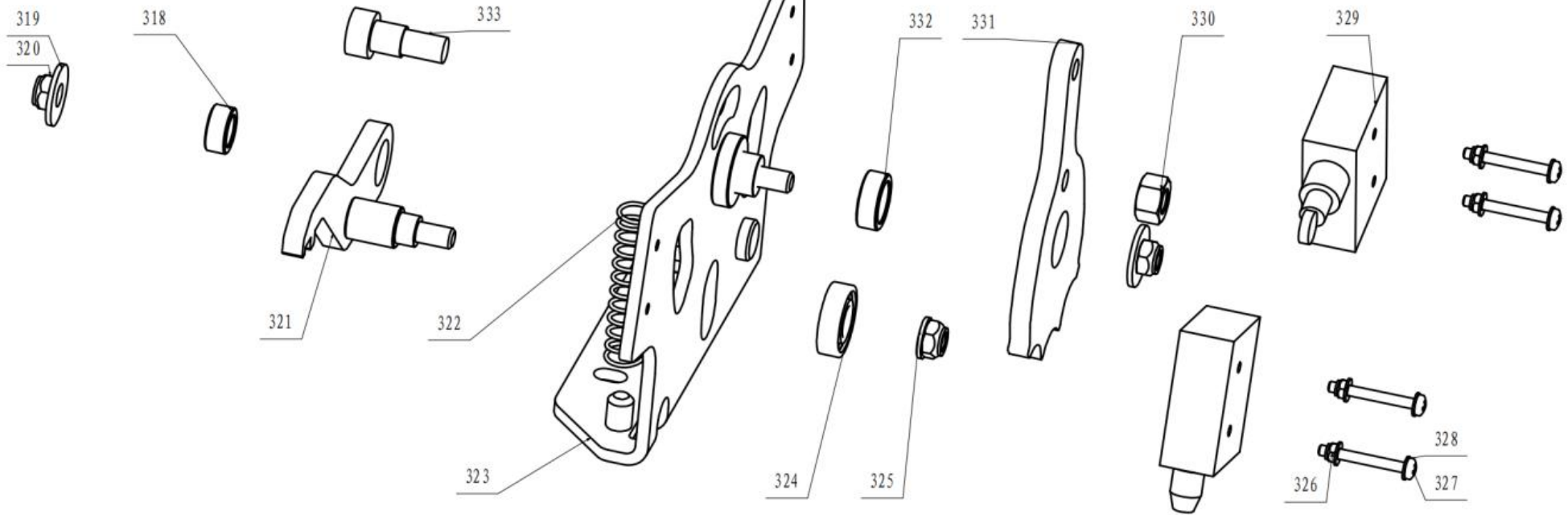


350	Hasp	2
351	Hasp pin	2
352	Bolt M12*40	6
353	Washer	12
354	Washer	6
355	Nut 12	6
356	Bolt M5*25	2
357	Flat washer	6
358	Locknut	4
359	iFS system	1
360	Housing backsupport	1
361	Tensioner cover	1
362	Pilot panel	1
363	Disk housing assy	1



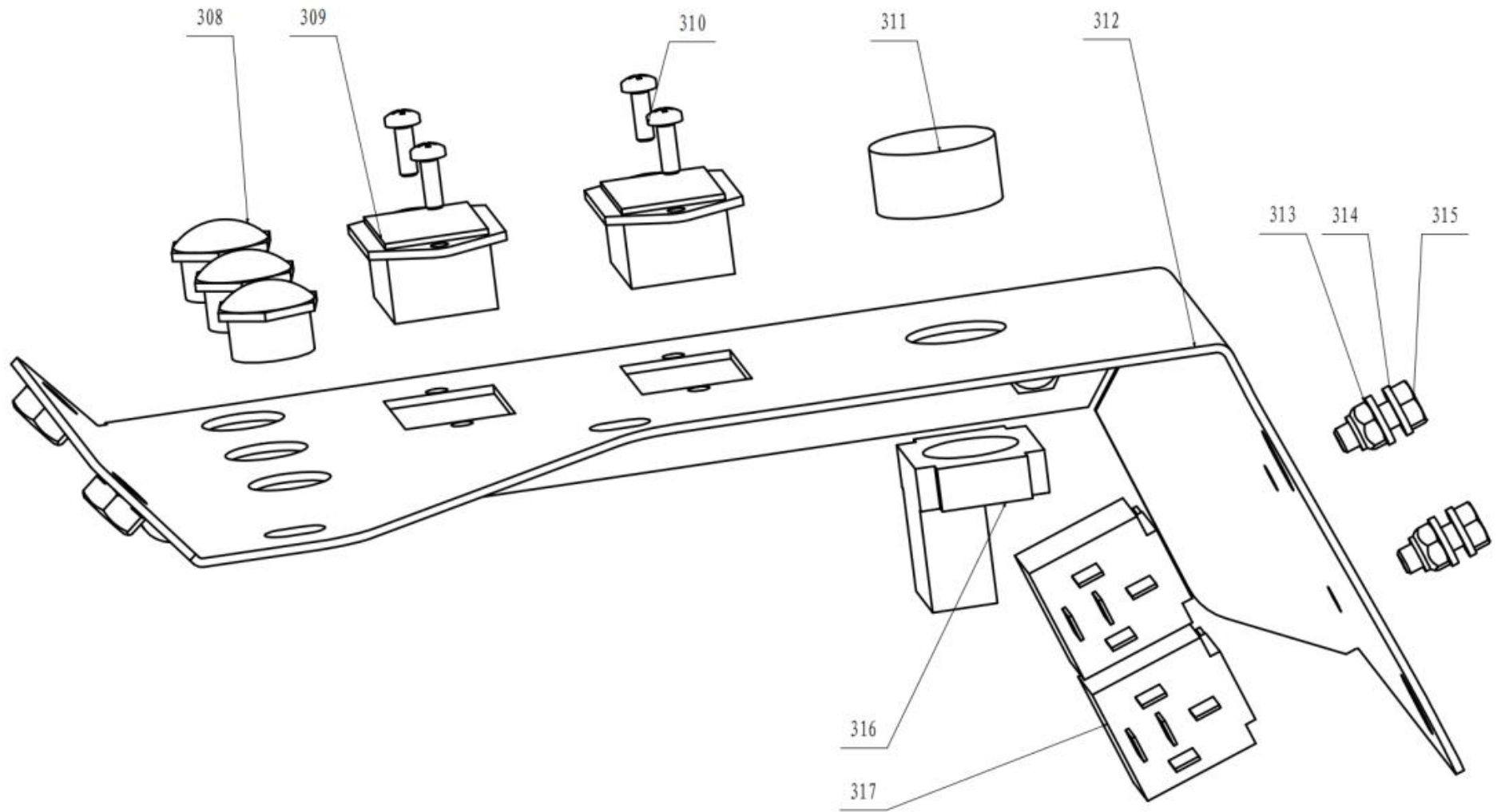
364	Regulator cover	1
-----	-----------------	---

365	Hasp loop	2
366	Exhauster assy	1
367	Pump assy	1
368	Fuel tank lock plate	1
369	Bolt M8*16	2
370	Fuel tank	1
371	Bolt M12	2
372	Tank support left	1
373	Tank support right	1
374	Bolts M5*25	2
375	Retro reflector side	2
376	Bolt M8*60	1
377	Fix plate	1
378	Chassis	1
379	Nut M10	4
380	Bolt M10*55	4
381	V-belt	1
382	Regulator	1
383	Valve	1
384	Bolts M8*25	8
385	Feeding control assy	1
386	Bolt M8*170	2
387	Battery	1
388	Nut M8	11
389	Battery holder	1
390	Rivet	24
391	Hinge	8
392	Battery cover	1



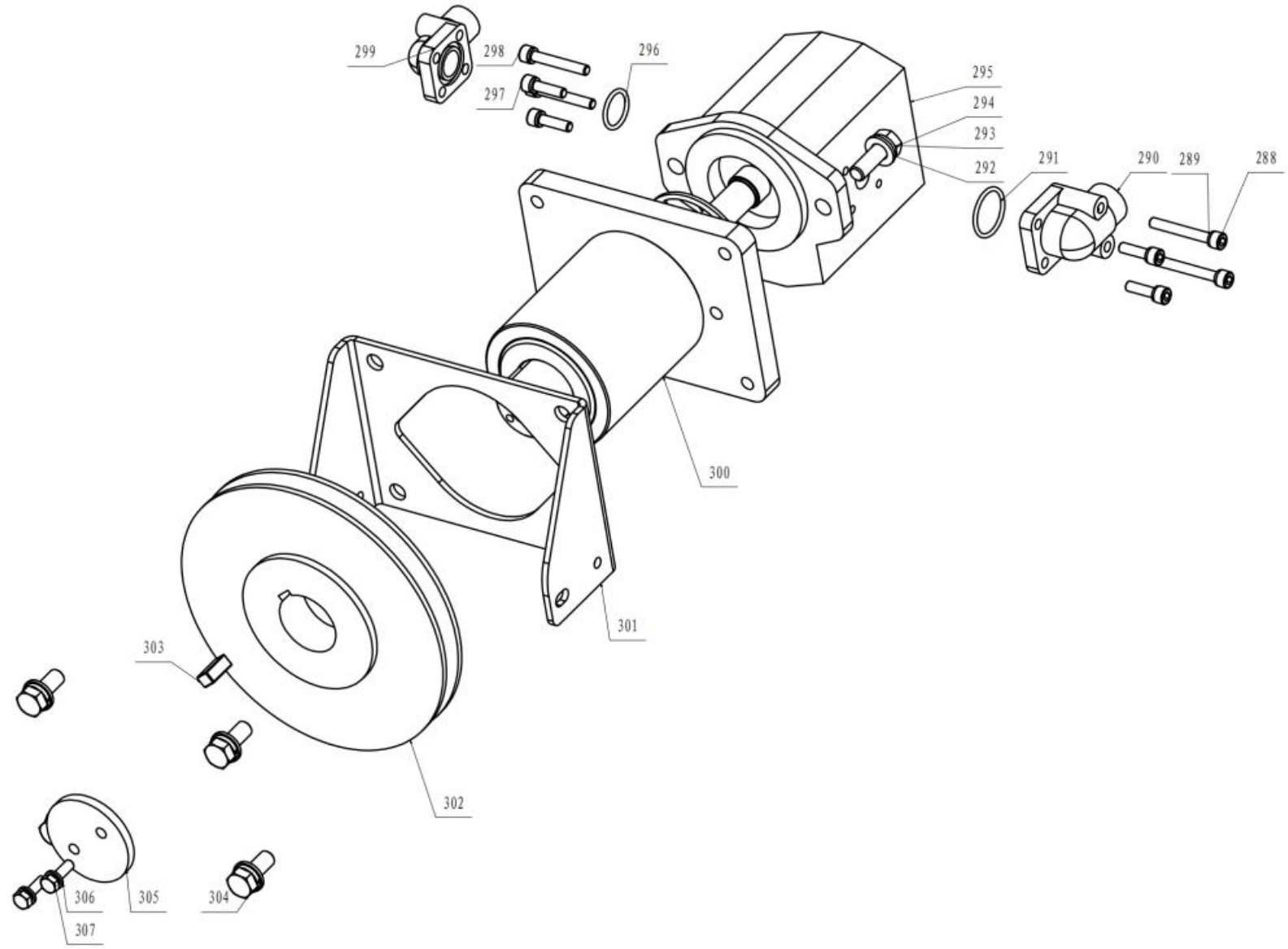
No.	Description	Qty
318		1

319	Washer	2
320	Locknut	3
321	Positioner bracket	1
322	Director spring	1
323	Bracket	1
324	Bearing	1
325	Flat washer	1
326	Locknut	4
327	Bolt	4
328	Flat washer	8
329	Micro switch	2
330	Nut	1
331	Control connector	1
332	Lubricant bush	1
333	Shoulder bolt	1



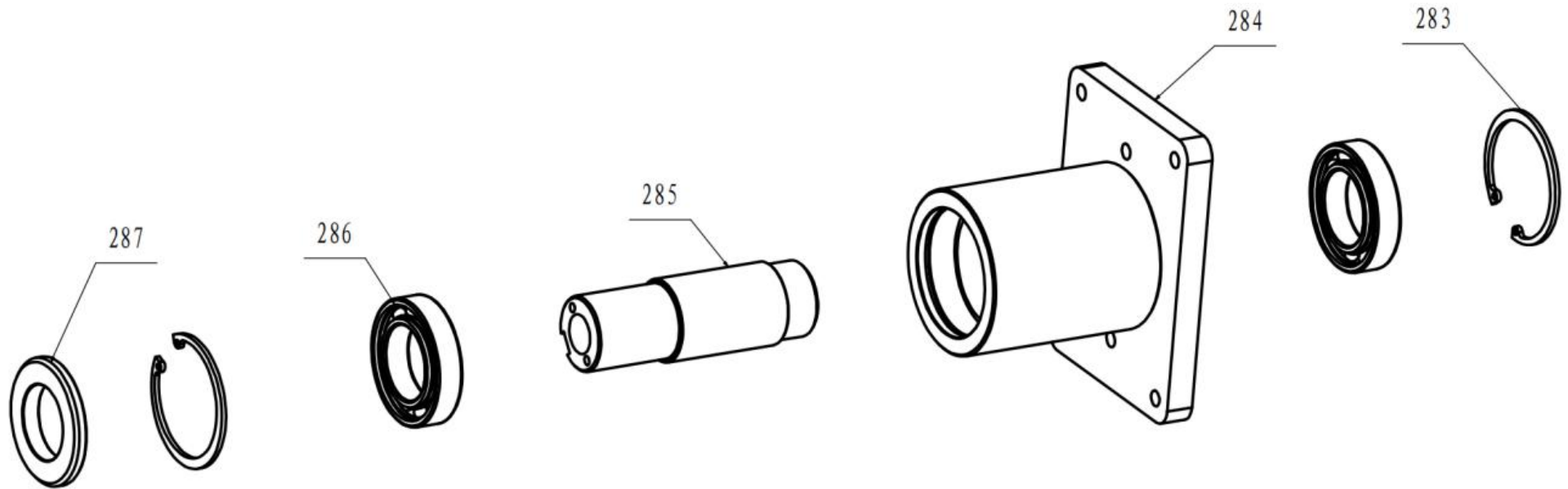
No.	Description	Qty
-----	-------------	-----

308	Indicator	3
309	Battery volume	2
310	Bolt M4*12	4
311	Reset	1
312	Control panel	1
313	Lock nut	2
314	Flat washer	4
315	Bolt M6*16	2
316	Reset button base	1
317	Relay	2

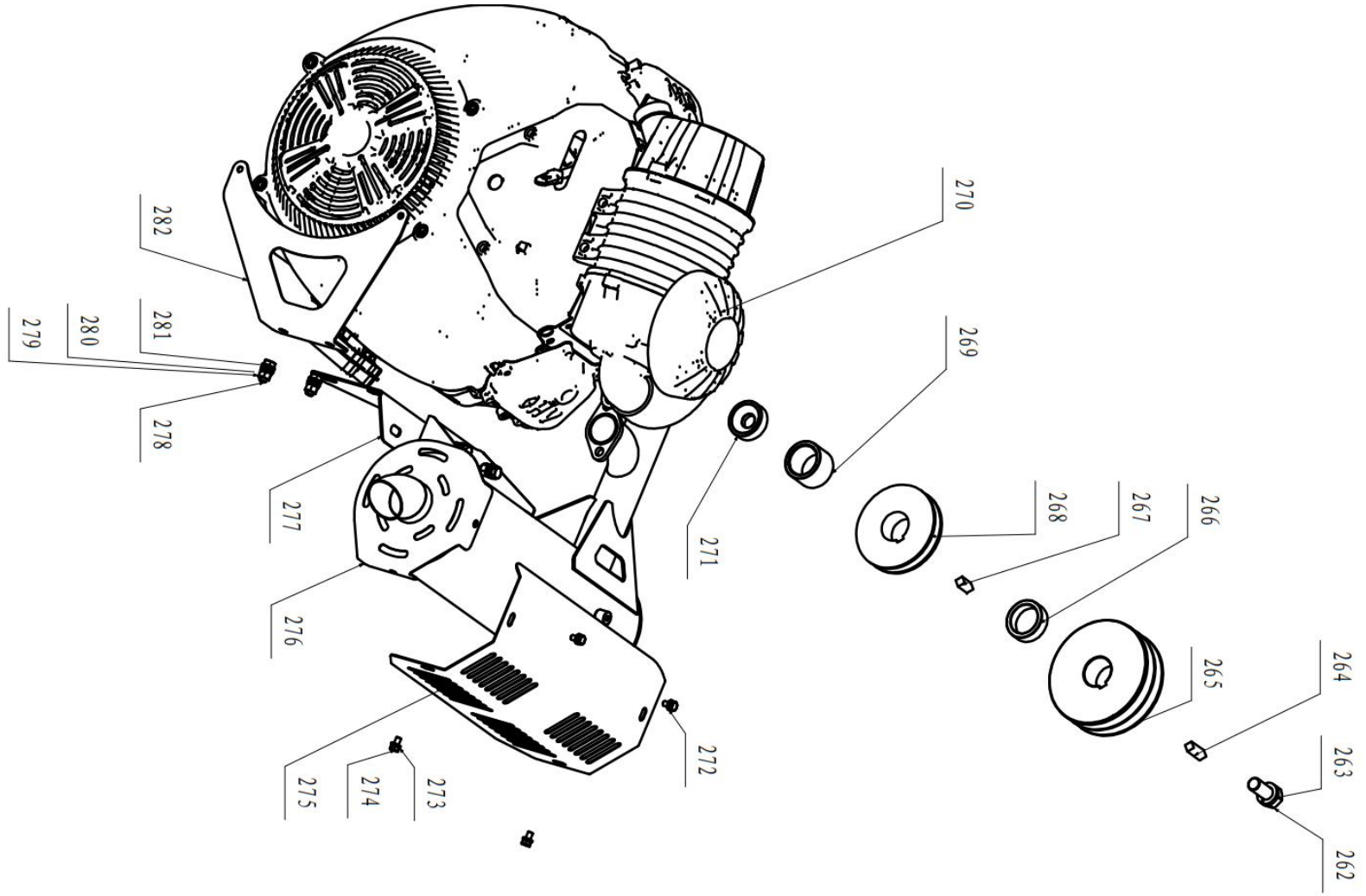


No	Description	Qty
----	-------------	-----

288	Bolt M6*45	2
289	Washer	10
290	Hose bracket 40	1
291	Seal	1
292	Flat washer	6
293	Washer	6
294	Bolt M10*30	2
295	Pump	1
296	Seal	1
297	Bolt M6*22	4
298	Bolt M6*40	2
299	Hose bracket 35	1
300	Pump bracket assy.	1
301	Pump base bracket	1
302	Pulley	1
303	Key	1
304	Bolt M10*25	4
305	Lockwasher	1
306	Flat washer	2
307	Bolt M6*20	2

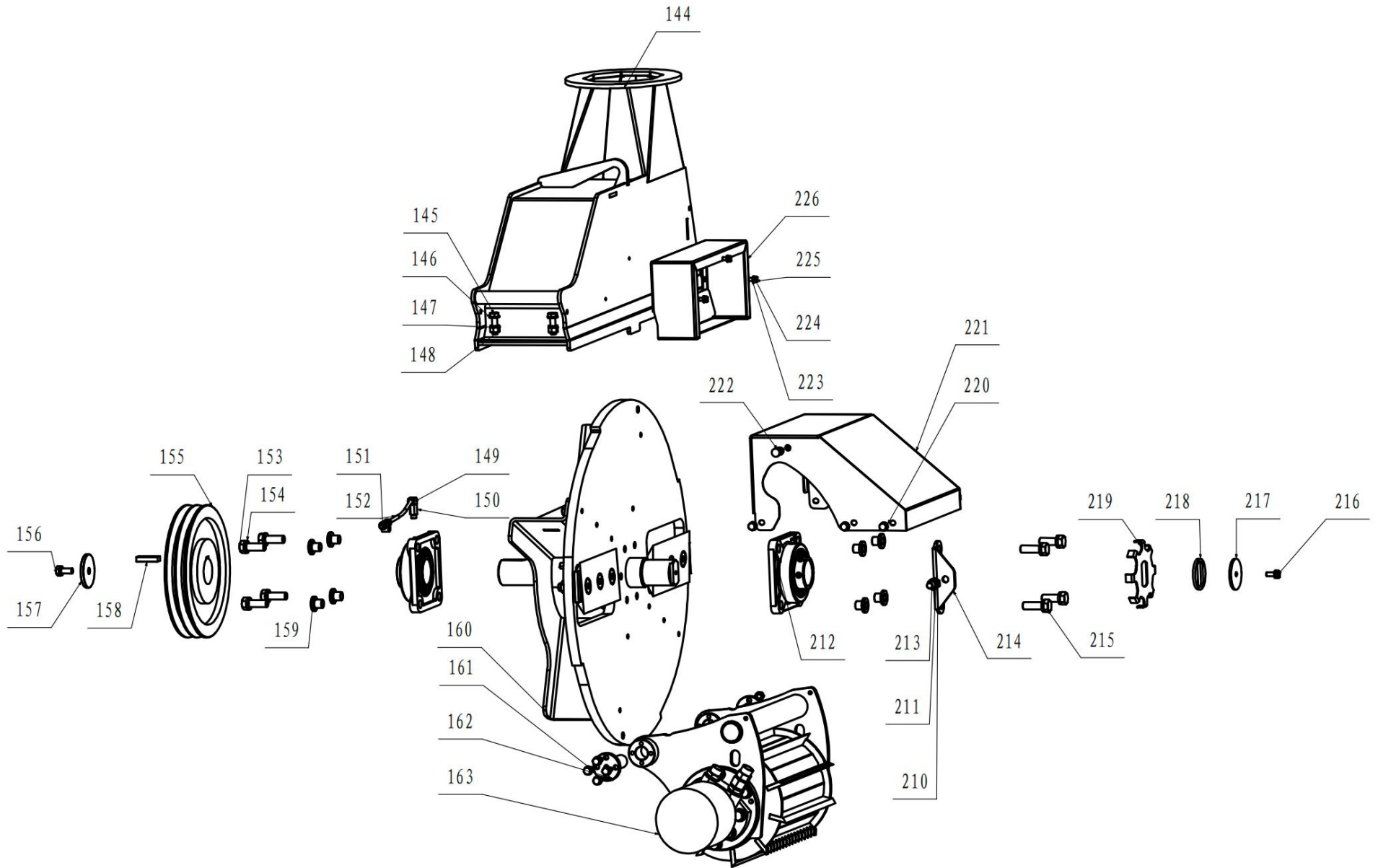


No	Description	Qty
283	Circlip	2
284	Pump base	1
285	Pump shaft	1
286	Bearing	2
287	Pump washer	1



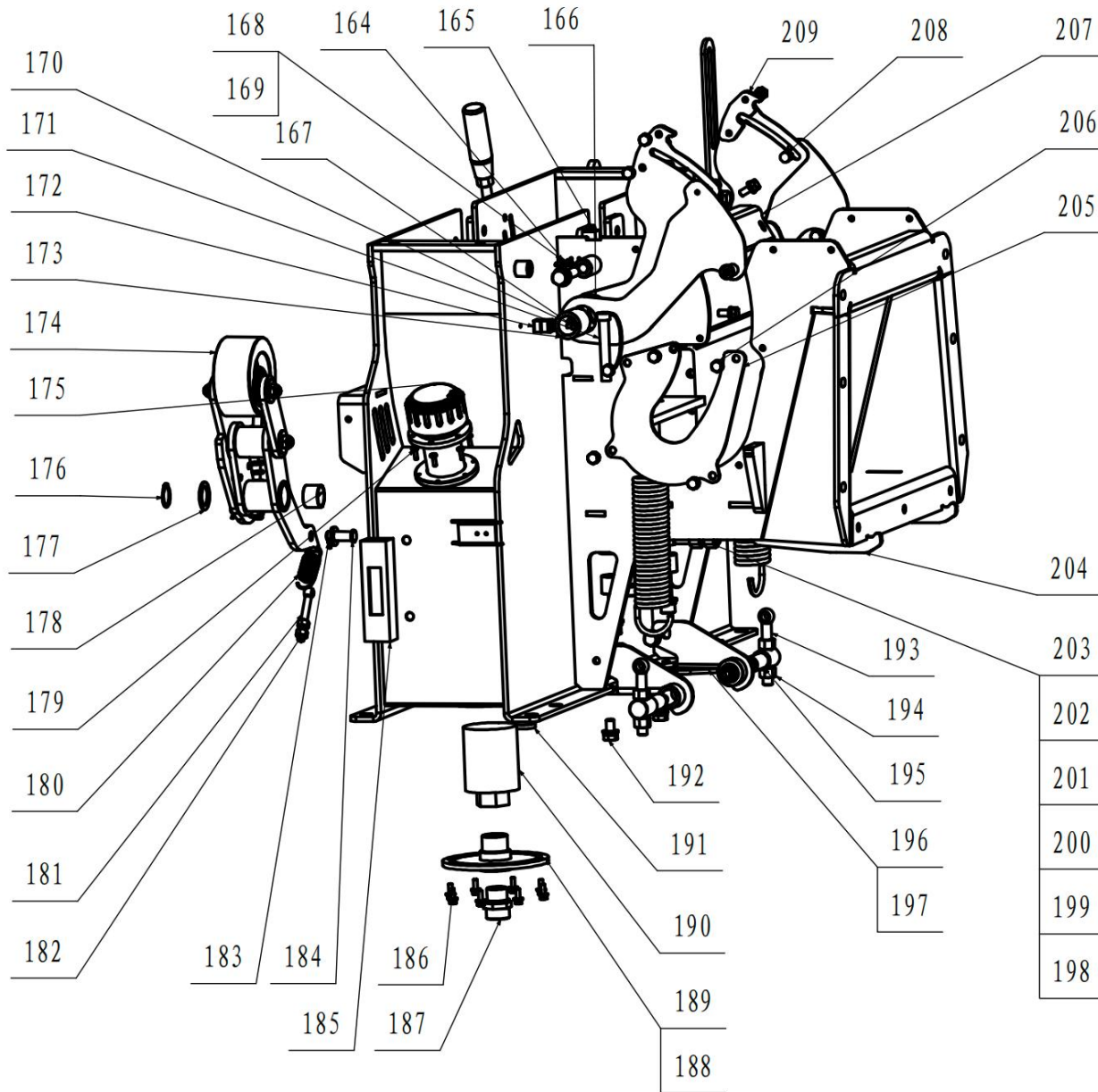
No.	Description	Qty
-----	-------------	-----

262	Bolt	1
263	Washer	1
264	Key	1
265	Pulley	1
266	Pulley bush	1
267	Key	1
268	Pulley	1
269	Pulley bush	1
270	Air filter	1
271	Pulley lock washer	1
272	Flat washer	4
273	Spring washer	4
274	Bolt M6*12	4
275	Exhauster cover	1
276	Exhauster	1
277	Exhauster bracket	1
278	Bolt M8*20	4
279	Nut M8	4
280	Spring washer	4
281	Flat washer	8
282	Bracket connector	1



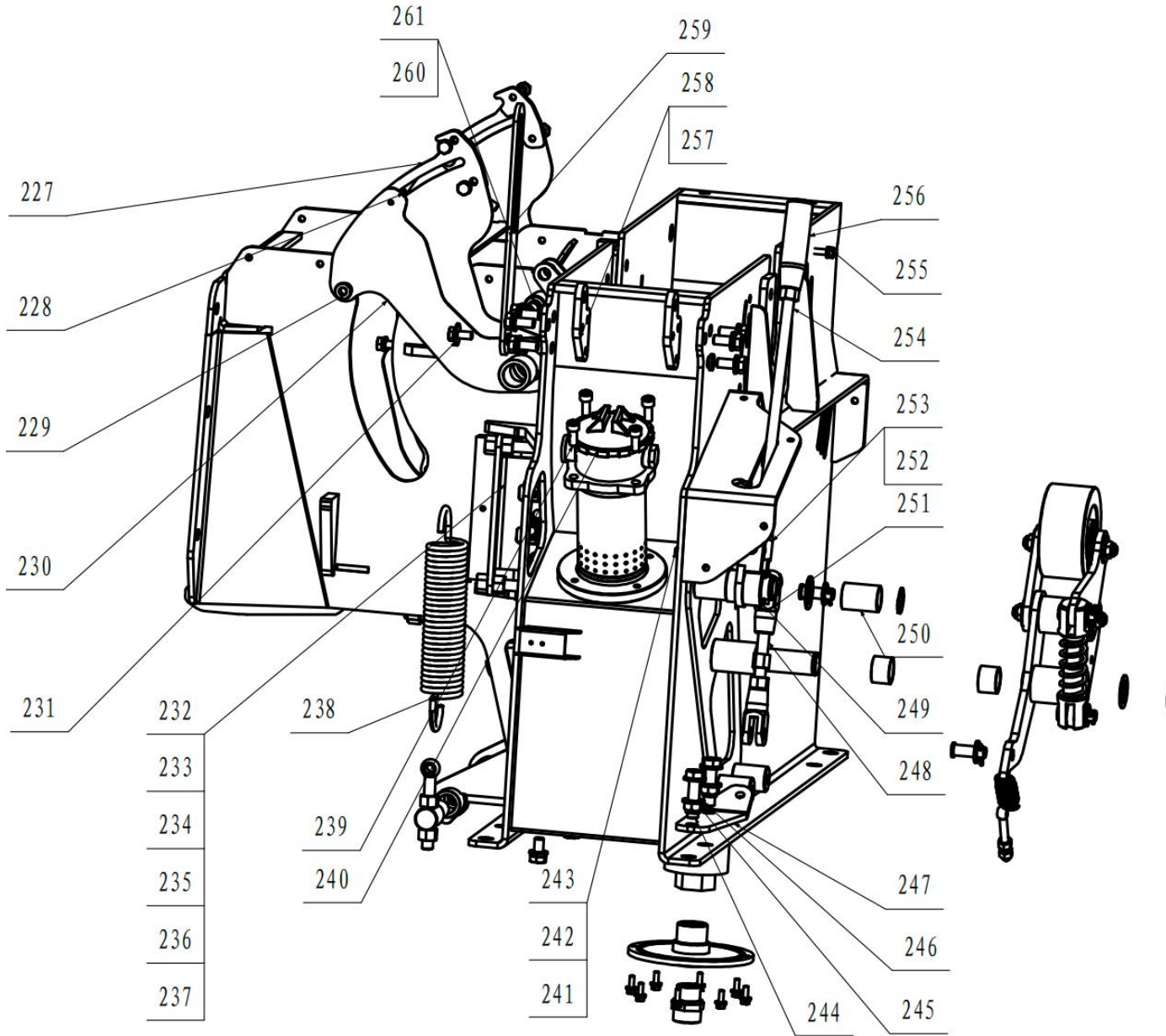
No.	Description	Qty
144	Disk hood	1
145	Bolt M10*35	4
146	Flat washer	14
147	Washer	13
148	Nut	4
149	Lubricant connector	1
150	Nipple	1
151	Nipple	1
152	Lubricant hose	1
153	Bolt M14*40	6
154	Washer 14	8
155	Pulley	1
156	Bolt M10*25	7
157	Lockwasher disk pulley	1
158	Key	1
159	Washer bush	8
160	Disk	1
161	Circlip	34
162	Yoke hinge rod	2
163	Feeding roller assy.	1
164	Bolt M4*20	2
165	Safety sensor	1
210	Spring washer	2
211	Nut	2
212	Bearing	2
213	Speed sensor	1
214	Sensor bracket	1
215	Bolt M14*45	2

216	Bolt M8*20	9
217	Speed counter lockwasher	1
218	Washer	1
219	Speed counter	1
220	Flat washer	22
221	Roller cover	1
222	Shoulder bolt	2
223	Flat washer	12
224	Spring washer	12
225	Bolt M6*12	3
226	Sensor cover	1



166	Safety fence	2
167	Washer	1
168	Flat washer	2
169	Washer	2
170	Bolt M5*8	1
171	D ring	1
172	Circlip	1
173	Lubricant bearing	2
174	Tensioner	1
175	Filter	1
176	Circlip	2
177	Tensioner bracket lock washer	2
178	Lubricant bearing	2
179	Bolt M4*14	6
180	Tensioner extension spring	1
181	Eyelet bolt	1
182	Nut	2
183	Pin	4
184	Split pin	2
185	Oil gauge	1
186	Bolt	8
187	Hydraulic oil drain	1
188	Seal	1
189	Drain base	1
190	Filter	1
191	Insert	1
192	Bolt M10*20	4
193	Eyelet bolt	2
194	Nut 12	11

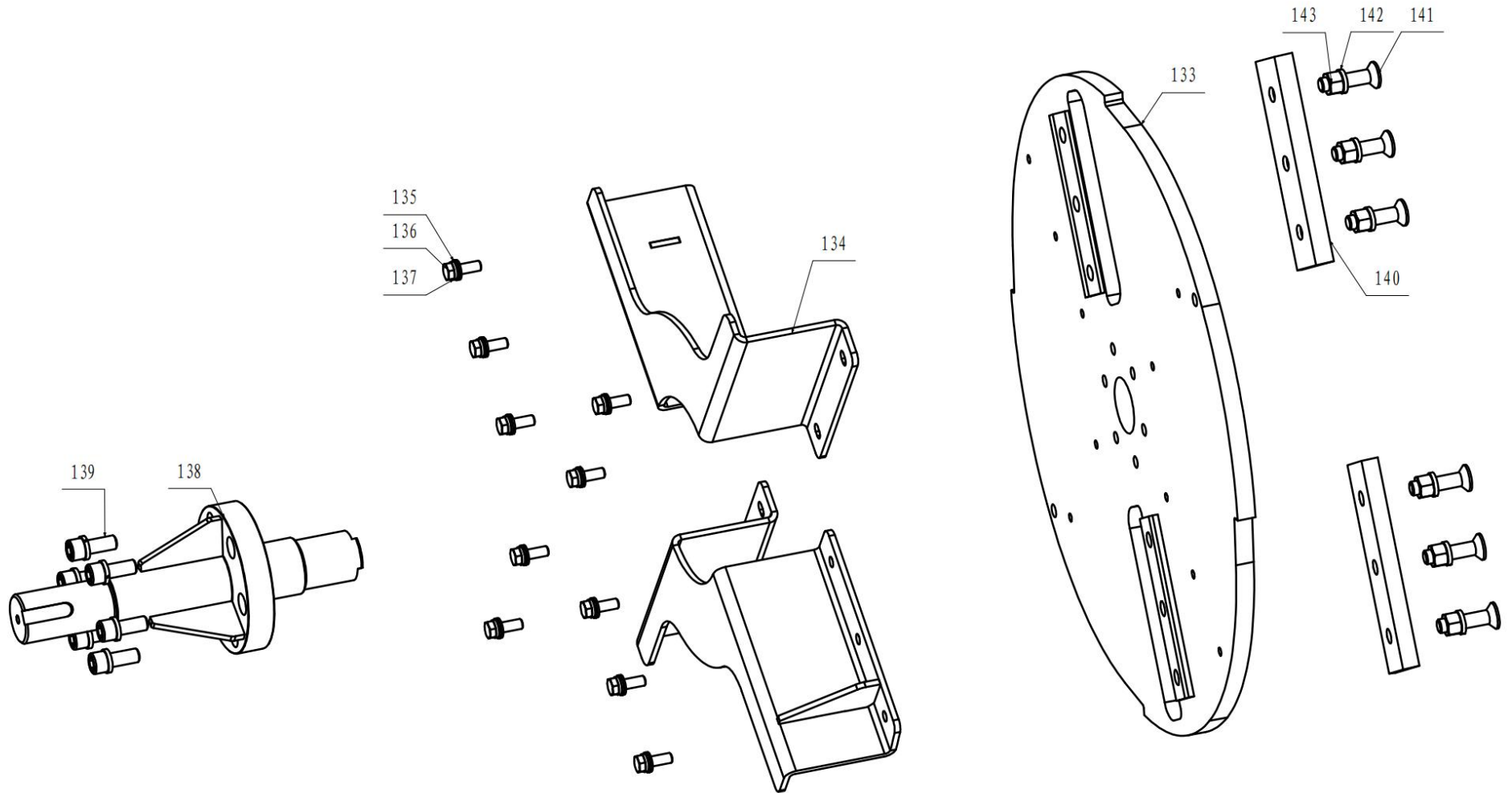
195	Roller spring bottom rod	2
196	Roller spring bracket left	1
197	Roller spring bracket right	1
198	Bolt M12*25	2
199	Anvil washer	1
200	Bolt M12*65	2
201	Washer	2
202	Bottom anvil	1
203	Nut 14	4
204	Disk housing assy.	1
205	Roller side cover	1
206	Bolt M8*16	15
207	Safety fence	1
208	Shoulder bolt	2
209	Fence positioner	2



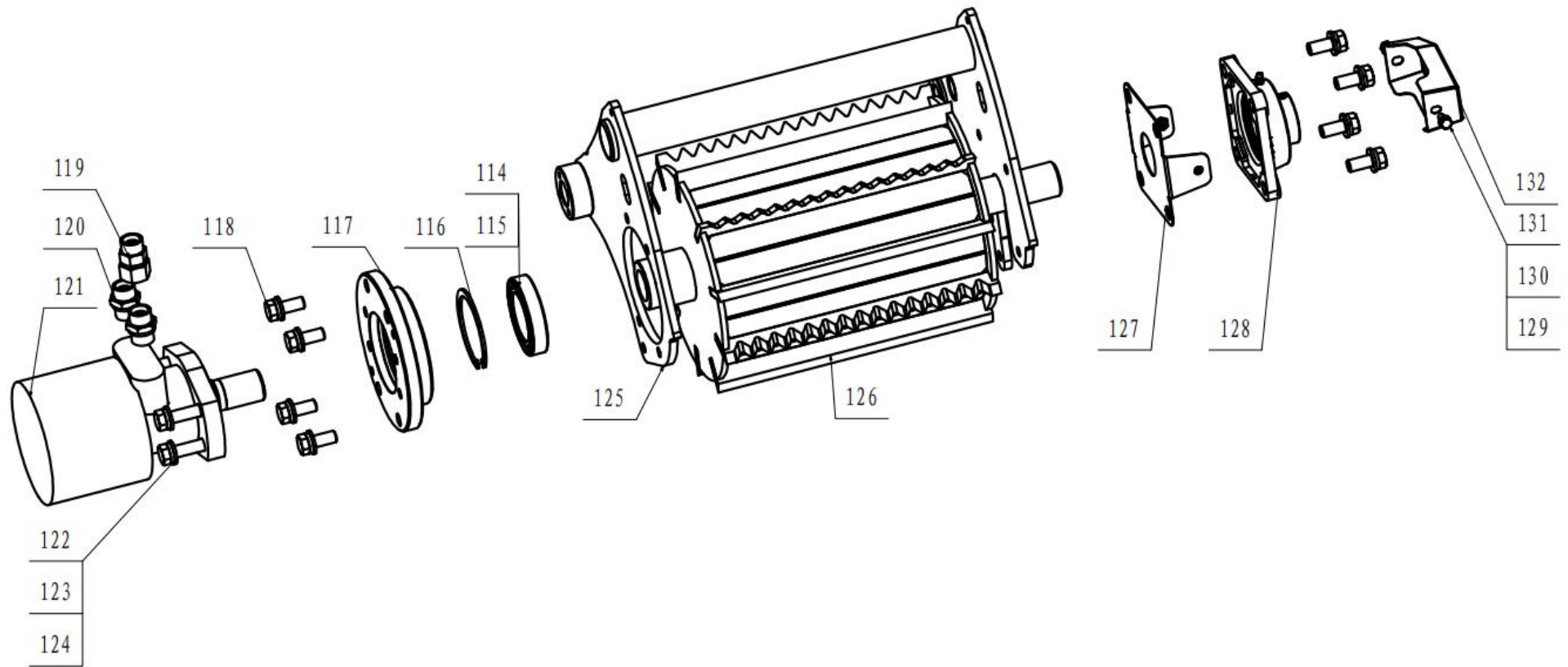
227	Slotted safety fence	2
228	Lock nut	2
229	Safety fence pin	2
230	Safety fence	2
231	Big washer	2
232	Side anvil adjuster	1
233	Eyelet bolt	2
234	Bolt M12*40	3
235	Washer	9
236	Side anvil	1
237	Eyelet bolt	2
238	Roller spring	2
239	Bolt M8*20	4
240	Return filter	1
241	Lock nut	1
242	Wire holder	1
243	Bolt M8*25	9
244	Bolt M12*45	2
245	Locknut M12	4
246	Flat washer	18
247	Tensioner spring bracket	1
248	Tension adjuster	1
249	Handle bracket connecter	1
250	Lubricant bearing	1
251	Adjuster bracket	2
252	Pin	1
253	Handle bracket	1
254	Handel rod	1
255	Bolt M6*25	1

PARTS DIAGRAM D16 VERSION2401 Details might vary due to latest updates.

256	Handle	1
257	Disk hood hinge pin	1
258	Hinge bracket	2
259	Positioner	1
260	Roller limit	2
261	Bolt M12*55	2

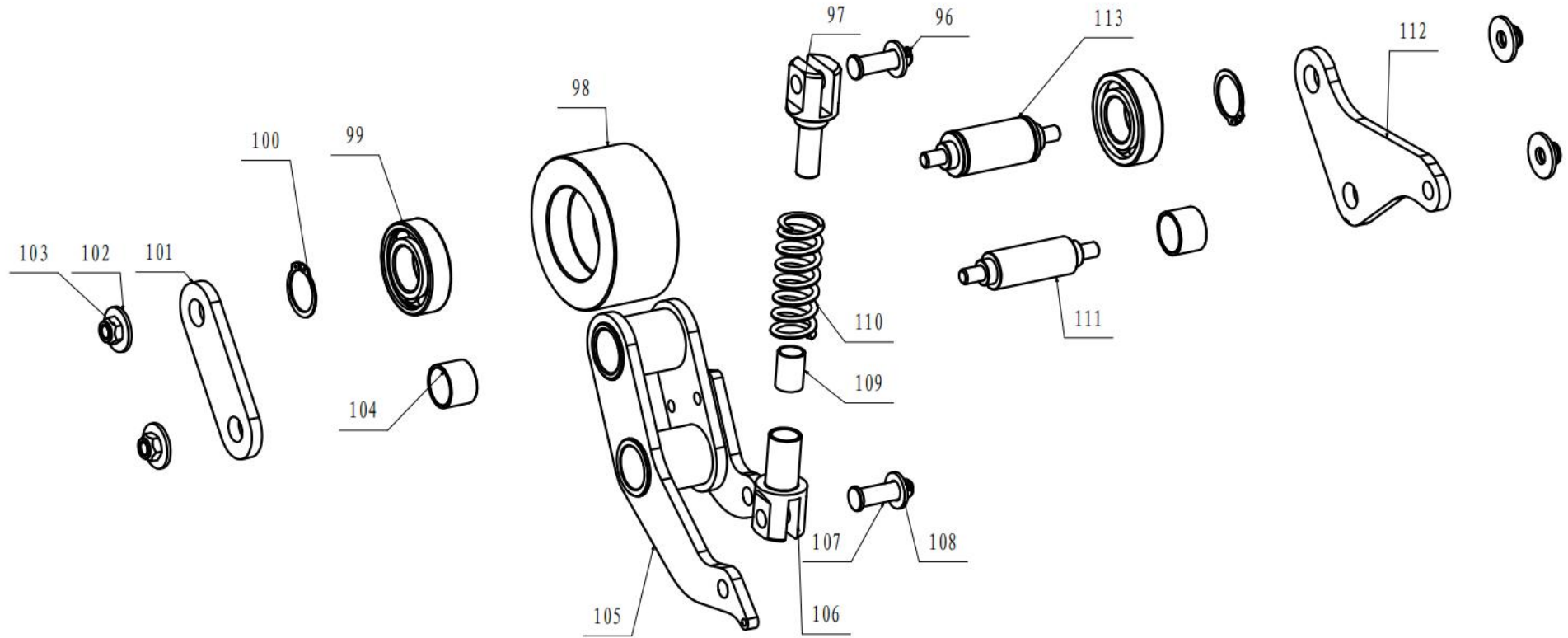


No.	Description	Qty
133	Disk	1
134	Impeller	2
135	Flat washer	20
136	Bolt M10*30	10
137	Spring washer	10
138	Shaft	1
139	Bolt M14*35	6
140	Blade	2
141	Bolt M14*16	6
142	Spring washer 14	12
143	Nut M14	6



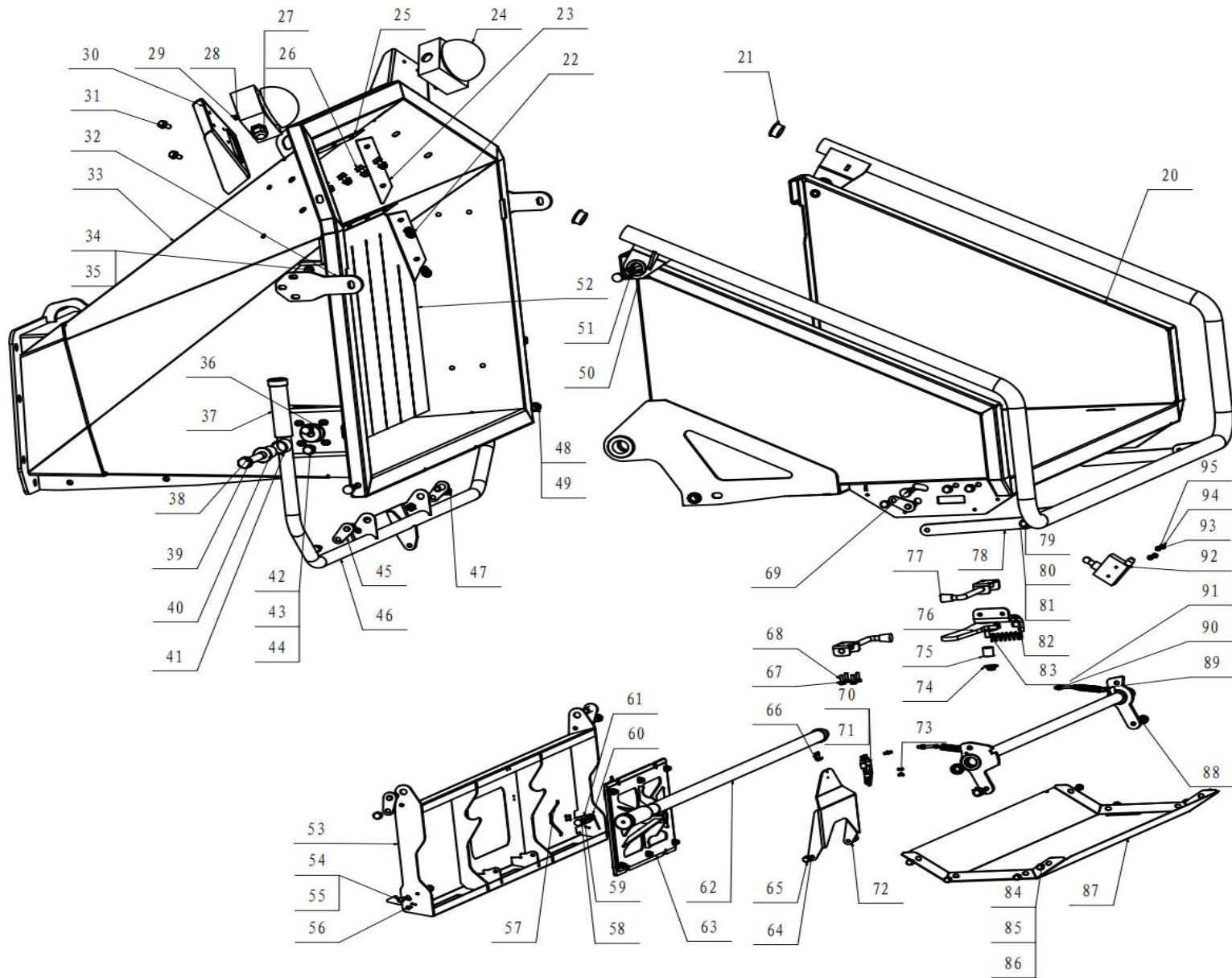
No.	Description	Qty
-----	-------------	-----

114	Rolling bearing	1
115	Key	1
116	Circlip	1
117	Motor base	1
118	Bolt M12*30	8
119	Joint	1
120	Joint	2
121	Hydraulic motor	1
122	Spring washer	12
123	Flat washer	12
124	Bolt M12*40	4
125	Hinged yoke	1
126	Feeding roller	1
127	Bearing cover base	1
128	Bearing	
129	Flat washer	2
130	Spring washer	2
131	Bolt	2
132	Bearing cover	1



No	Description	Qty
----	-------------	-----

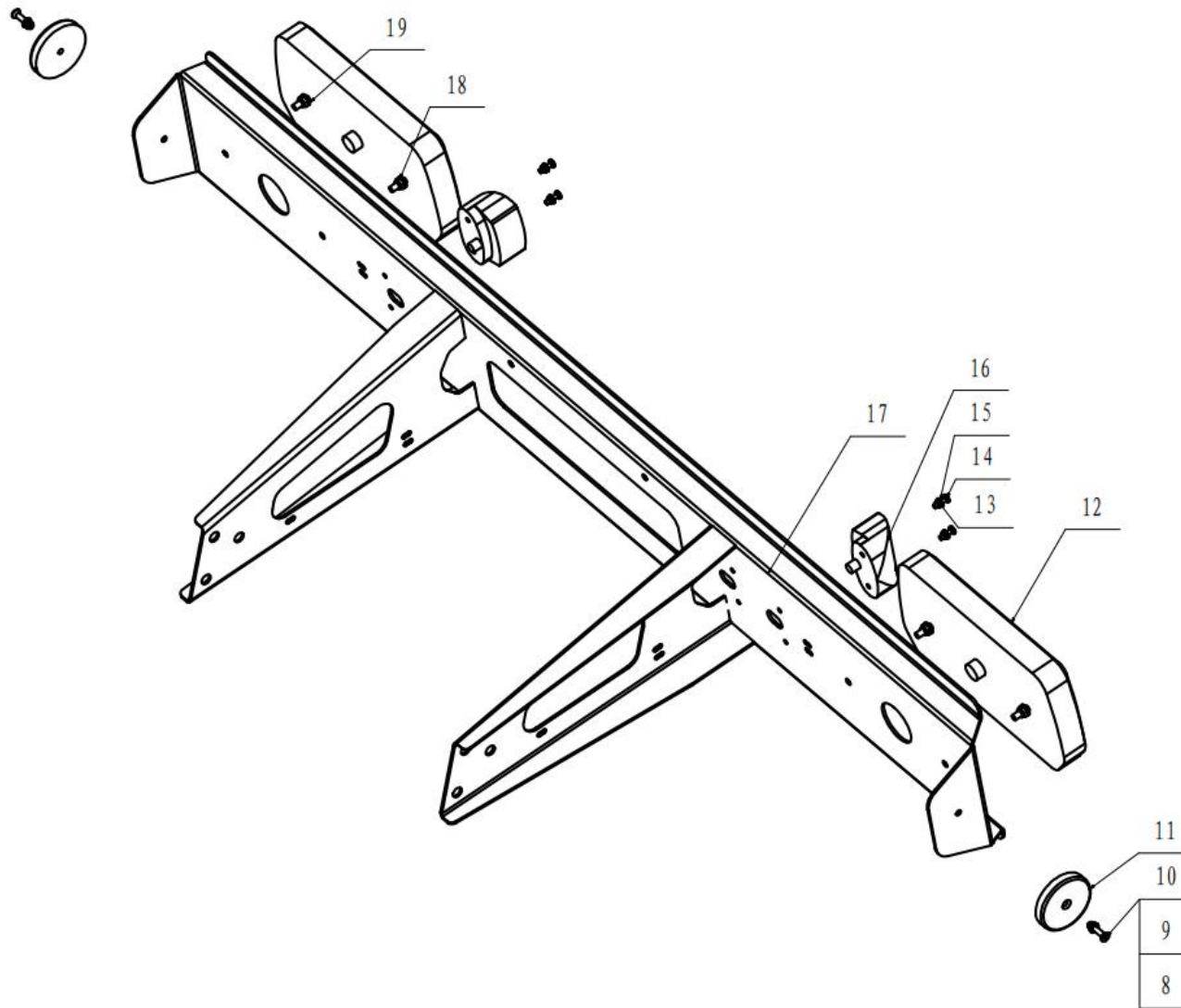
96	Pin	2
97	Spring insert	1
98	Tension pulley	1
99	Bearing	2
100	Circlip	2
101	Tensioner connector	1
102	Big washer	4
103	Lock nut	4
104	Lubricant bearing	2
105	Tensioner bracket	1
106	Spring outside bush	1
107	Pin	2
108	Washer	2
109	Lubricant bearing	1
110	Compression spring	1
111	Bracket rod	1
112	Bracket fix plate	1
113	Tension pullet shaft	1



No.	Description	Qty
20	Tray	1
21	Rubber cap	2
22	Nylonlock nut M8	14
23	Rubber flap strip side	2
24	Emergency switch	2
25	Rubber flap strip top	1
26	Bolt M8*20	13
27	Cable holder	2
28	Spring washer	6
29	Bolt M5*25	4
30	Emergency switch holder	2
31	Bolt M8*16	8
32	Tray latch lock	2
33	Feeding hopper	1
34	Bolt M8*30	6
35	Nut M8	6
36	Hinge sleeve	2
37	Rubber sleeve	2
38	Spring washer 14	2
39	Bolt M14*90	2
40	Hinge bush	2
41	Lubricant bearing	2
42	Bolt M10*25	8
43	Spring washer 10	8
44	Flat washer 10	8
45	Tool holder hinge	6
46	Feeding rod	1
47	Washer 8	14

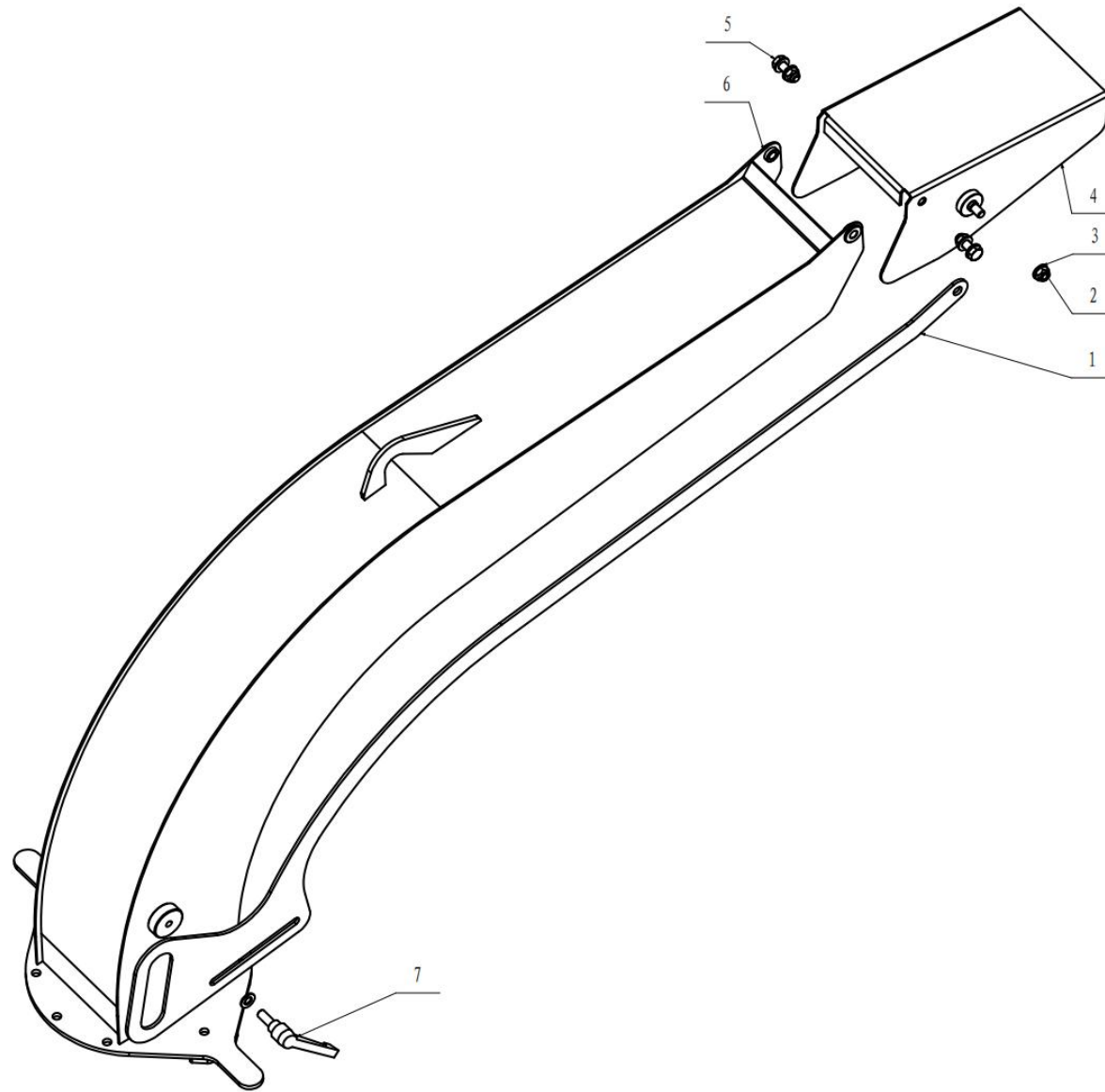
48	Shoulder bolts M10	2
49	Nylonlock nut M10	2
50	Stop bar	1
51	Joint bearing	6
52	Rubber flap	1
53	Tool bracket panel	1
54	Shoulder bolts M5	2
55	Torsion spring	1
56	Bolt M4*12	2
57	Metal dome	2
58	Shoulder bolt M6	2
59	Nut M6	2
60	Torsion spring	1
61	Tray latch	2
62	Feeding rod	1
63	Feeding plate	1
64	Nylonlock nut M6	2
65	Bolt M6*20	2
66	Hasp loop	1
67	Spring washer	8
68	Bolt M5*16	8
69	Shoulder bolt 12-16	4
70	Hasp pin	1
71	Hasp	1
72	Tool bracket lock plate	1
73	Rivet	8
74	Washer	1
75	Lubricant bearing	1
76	Reset handle	1

77	Spring latch	2
78	Stop bar connector	2
79	Pin	4
80	Washer	48
81	Split pin	4
82	Lock base	1
83	Compression spring	1
84	Spring washer	8
85	Washer	12
86	Bolt	8
87	Cover	1
88	Spining rod	1
89	Extension spring	2
90	Eye bolt M5*40	2
91	Nut M5	6
92	Micro switch	1
93	Bolt M4*35	2
94	Flat washer 4	4
95	Nylonlock nut	2



No.	Description	Qty
-----	-------------	-----

8	Flat washer 5	2
9	Nylonlock nut M5	2
10	Bolt M5*20	2
11	Rear retro reflector	2
12	Rear lamp combination	2
13	Nylonlock nut M4	4
14	Bolt M4*14	4
15	Flat washer 4	4
16	Number plate lamp	2
17	Lamp bracket EU	1
18	Nylonlock nut M6	4
19	Flat washer 6	4



No.	Description	Qty
-----	-------------	-----

PARTS DIAGRAM D16 VERSION2401 Details might vary due to latest updates.

1	Deflector guider	1
2	Nylon lock nut M10	3
3	Flat washer	6
4	Deflector	1
5	Bolt M10*30	2
6	Output chute top	1
7	Knob M10*20	1